

Model Carmel - Multi-Jet Magnetic Water Meter

The Carmel meter is a new multi-jet meter with light composite body and top attachable register unit totally isolated from the water pressure.

- **Applications**

For domestic consumption.

- **Available Sizes**

1/2" - 15mm

3/4" - 20mm

- **Standards**

MID 2004/22/EC (based on OIML R49

EN 14154 and ISO 4064:2005)



Features:

- Sealed super dry magnetic register
- 6 digits counter + 3 pointers for high accuracy measurement readout
- Central "star" used for leak detection and electronic testing
- Lightweight. Rotatable register for convenient positioning of dial
- Register options: regular, Optical Encoder (OE), Dialog 3G, EV, EF

Technical Specifications

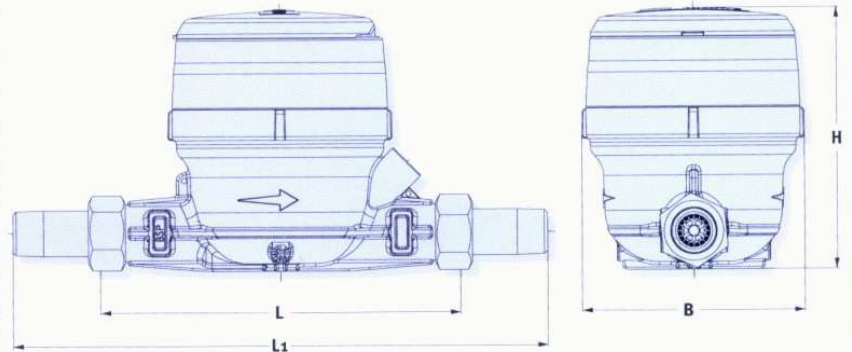
Maximum Working Pressure	10 bar
Maximum Working Temperature	50°C
Body	composite
Coupling threads	BSP, NPSM



Carmel type dial

Dimensions

Model		M15	M20
Nominal size	(mm)	15	20
	(inch)	1/2"	3/4"
L – Length without couplings (mm)		165	190
L ₁ – Length with couplings (mm)		260	285
B – Width (mm)		105	105
H – Height (mm)		140	140
Weight (kg)		0.65	0.7
Weight with couplings (kg)		0.9	1



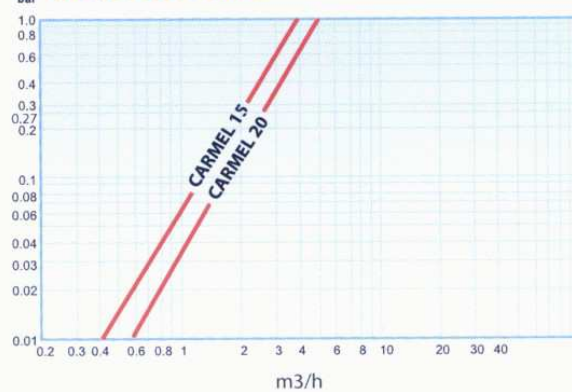
Performance data:

Model	Nominal size (inch)	Q4 Maximum flowrate (m ³ /h)	Q3 Nominal Flowrate (m ³ /h)	Q2 Transitional Flowrate (l/h)	Q1 Minimum Flowrate (l/h)	R Value	Maximum register capacity (m ³)	Smallest readable unit (liter)	Accuracy between Q4 & Q2	Accuracy between Q2 & Q1
Q15	1/2"	2	1.6	40.6	25.4	63	10 ³	0.05	±2%	±5%
Q20	3/4"	3.125	2.5	63.5	39.7	63				
				40	25	100				

Accuracy Curve



Head Loss Curve



Installation Requirements

- The Meter should be installed in horizontal position dial face up
- Pipeline must be flushed before installation
- The meter should be constantly full of water